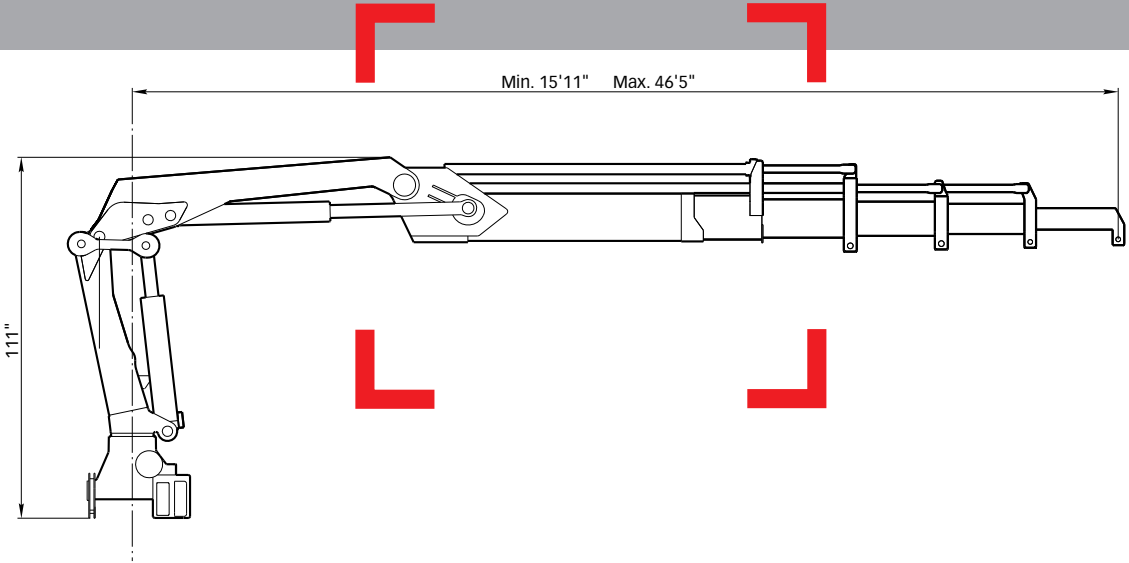


# HIAB 175 Capacity 123,910 ft-lbs (17 tm)



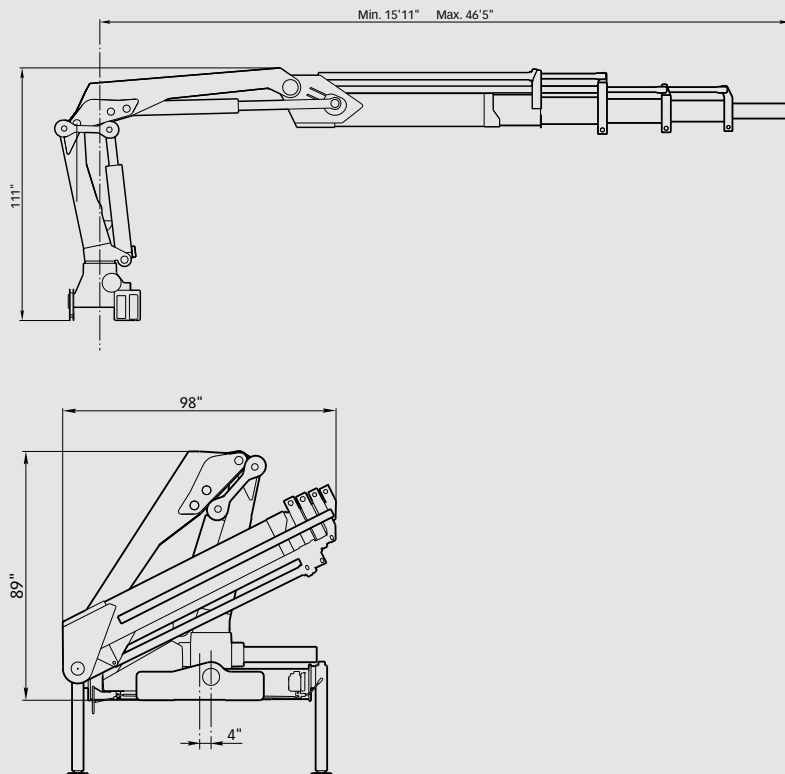
Basic data

# HIAB 175 Basic data

## Technical data

	175-1	175-2	175-3	175-4	175-5
Max. lifting capacity (ft-lbs)	123,910	120,220	115,060	111,370	109,160
Outreach -hydraulic extensions	20'4"	26'3"	32'10"	39'8"	46'3"
Outreach -manual extensions	-	46'7"	53'6"	60'8"	60'4"
Outreach / lifting capacity (lbs)	7'7" / 14,330	7'7" / 14,330	7'7" / 13,890	7'7" / 13,670	7'7" / 13,230
	14'9" / 8,360	14'9" / 8,160	14'9" / 7,780	14'9" / 7,540	14'9" / 7,280
	20'0" / 6,130	20'4" / 5,820	20'4" / 5,490	20'4" / 5,250	20'4" / 5,070
	-	25'7" / 4,590	26'3" / 4,120	26'3" / 3,860	26'3" / 3,730
	-	-	32'2" / 3,310	32'6" / 3,020	32'6" / 2,870
	-	-	-	11.8 / 2,430	11.8 / 2,310
	-	-	-	-	45'3" / 1,960
Slewing angle	406°	406°	406°	406°	406°
Height in folded position	89"	89"	89"	89"	89"
Width in folded position	96"	96"	96"	98"	98"
Installation space needed	35"	35"	35"	35"	39"
Weight - "standard" crane without stabilizers (lbs)	4,255	4,565	4,895	5,180	5,420
Weight - stabilizer equipment (lbs)	525 - 840	525 - 840	525 - 840	525 - 840	525 - 840

## HIAB 175-5



### Disclaimer

Hiab cranes have been built to meet the highest standards of safety and service life and has been thoroughly tested. Strength calculations for this model have been carried out in accordance with DIN 15018. Hiab's certified Quality Assurance System complies with the ISO 9001. Some of the items in our literature may be extra equipment. Certain applications may require an official permit. We reserve the right to change technical specifications without prior notice. Hiab cranes produced for EU-countries are CE-marked and comply with the European Standard EN 12999.